

## MAGNETIC TRANSDUCER

Customer	
Customer P/O	
Bestar Model Name	BMT-1206UX
Product No.	020200
Issue No.	BS/TET01.036A
Issue Date	03/05/28

### Approval:

- 1.Characteristic
- 2.Drawing
- 3.Reliability Test
- 4.Packing



BESTAR ELECTRONICS INDUSTRY CO.,LTD  
TianAn Industry Park4/F,Site B ChangZhou New District  
Tel:86-519-5103228  
Fax:86-519-5131010  
Http:www.be-star.com  
E-Mail:bestarco@pub.cz.jsinfo.net

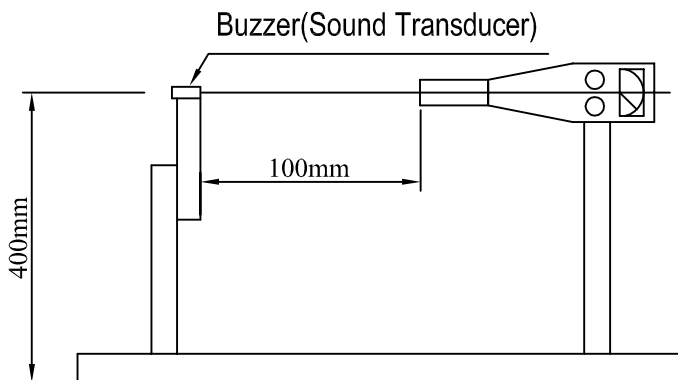
## BMT-1206UX

### 1. Characteristic

#### ★Electrical and Mechanical Characteristics

No.	Item	Specification
1.	Operating Voltage(V)	3~7
2.	Rated Voltage(V)	5
3.	▲Sound Output at 10cm(dB)	min.83
4.	▲Rated Current(mA)	max.30
5.	▲Resonance Frequency (Hz)	2300± 400
6.	Operating Temperature(° C)	-20...+70
7.	Storage Temperature (° C)	-25...+80
	▲ Value Appling at Rated Voltage	

#### ★Standard Output Measurement Setup



This print and information therein are proprietary to Bestar Electronics Industry Co., Ltd. and shall not be used in whole or in part without its written content No020203

DIS.	王善梅	DATE	03.5.28	Page:1 of 4 3rd angle projection
CHEC.	郭敏	DATE	03.5.28	
APPR.	查红红	DATE	03.5.28	

BMT-1206UX

Transducer

DRG NO  
BS/TET01.036A



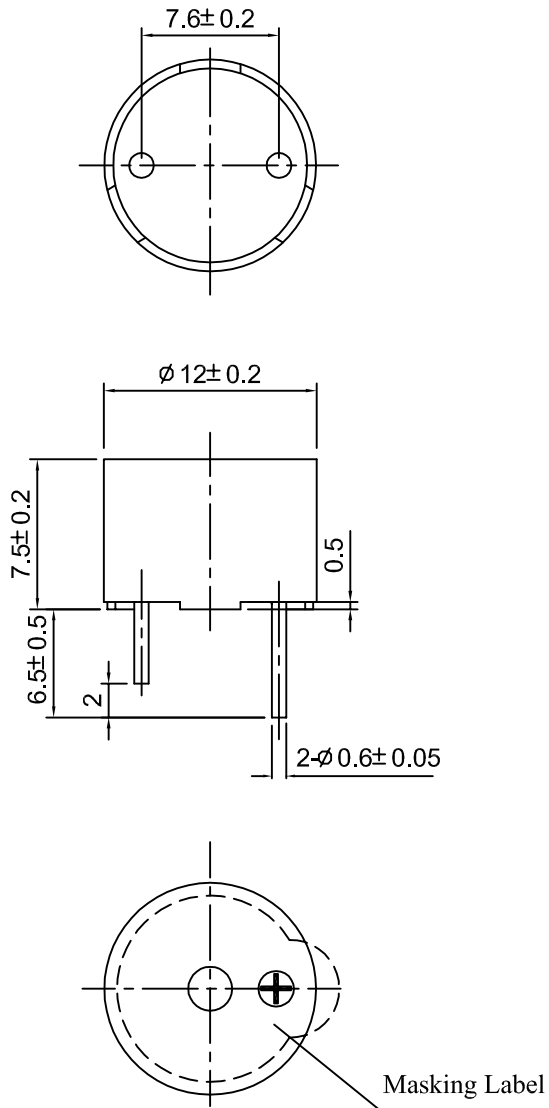
**BESTAR ELECTRONICS INDUSTRY CO.,LTD**

TianAn Industry Park 4/F,Site B ChangZhou New District


E-Mail:bestarco@pub.cz.jsinfo.net Http:www.be-star.com

## BMT-1206UX

### 2. Drawing



This print and information therein are proprietary to Bestar Electronics Industry Co., Ltd. and shall not be used in whole or in part without its written content No020203

DIS.	王善梅	DATE	03.5.28	Page:2 of 4	BMT-1206UX
CHEC.	郭敏	DATE	03.5.28		
APPR.	查红红	DATE	03.5.28	Transducer	
 <b>BESTAR ELECTRONICS INDUSTRY CO.,LTD</b> TianAn Industry Park 4/F,Site B ChangZhou New District E-Mail:bestarco@ pub.cz.jsinfo.net Http:www.be-star.com					DRG NO BS/TET01.036A

## BMT-1206UX

### 3. Reliability test

#### 3.1 High temperature test

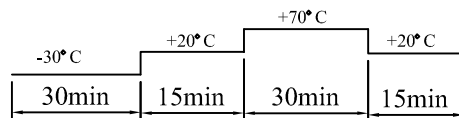
Temperature +80° C  
Duration 96hrs

#### 3.2 Low temperature test

Temperature -25° C  
Duration 96hrs

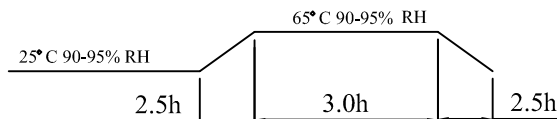
#### 3.3 Temperature cycle test

Cycles 5



#### 3.4 Humidity cycle test

Cycles 10



all these tests above should be measured after leaving normal temperature for 2hrs.

#### 3.5 Load test

Power supply rated voltage  
Duration 1000hrs

#### 3.6 Vibration Test

Vibration Frequency 10~55Hz  
Amplitude 1.5mm  
Duration x,y&z directions 30min

#### 3.7 Drop test


Height 70cm  
(to 10mm thickness woodenboard)  
Direction 3

#### 3.8 Solderability test

Solderability temperature 255° C  
Heat applying time 3sec

Notice: After the test the part shall meet specifications without any degrance and performance except S.P.L, S.P.L shall be 80dB more .

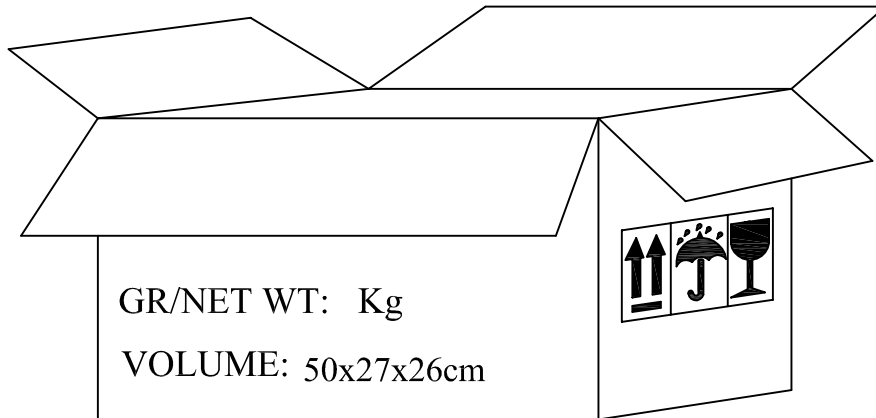
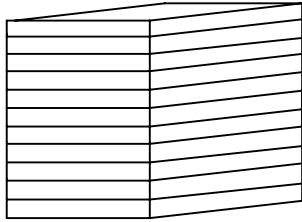
This print and information therein are proprietary to Bestar Electronics Industry Co., Ltd. and shall not be used in whole or in part without its written content No020203

DIS.	王善梅	DATE	03.5.28	Page:3 of 4	BMT-1206UX
CHEC.	郭敏	DATE	03.5.28		
APPR.	董红红	DATE	03.5.28	Transducer	
 <b>BESTAR ELECTRONICS INDUSTRY CO.,LTD</b> TianAn Industry Park 4/F,Site B ChangZhou New District E-Mail:bestarco@pub.cz.jsinfo.net Http:www.be-star.com					DRG NO BS/TET01.036A


This print and information there in are proprietary to Bestar Electronics Industry Co., Ltd. and shall not be used in whole or in part without its written content. No.020203

## BMT-1206UX

### 4. Packing



- 1)100pcs/tray
- 2)30tray/carton
- 3)3000 pcs/carton in total
- 4)carton size 50x27x26cm

DIS.	王善梅	DATE	03.5.28	Page:4 of 4	BMT-1206UX
CHEC.	郭敏	DATE	03.5.28		
APPR.	查红红	DATE	03.5.28	Transducer	
 <b>BESTAR ELECTRONICS INDUSTRY CO.,LTD</b> TianAn Industry Park 4/F,Site B ChangZhou New District E-Mail:bestarco@pub.cz.jsinfo.net Htp:www.be-star.com					DRG NO BS/TET01.036A