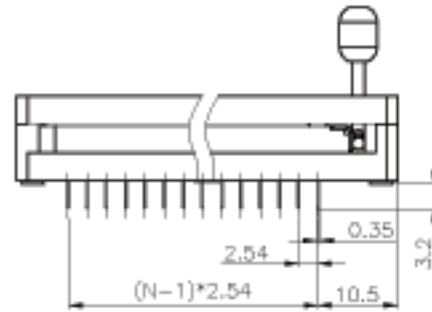
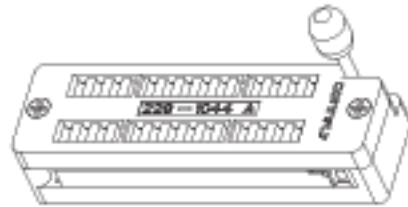
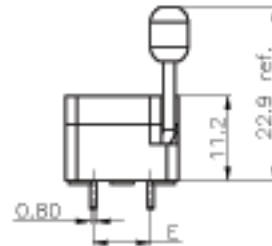
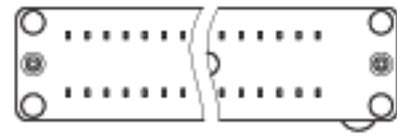


Positions	A	B	C	D	E
14	32.6	28.2			
16	35.1	30.7			
20	40.2	35.8	11.22	14.90	7.62
24	45.3	40.9			
28	50.4	46.0			
32	55.5	51.1			
40	65.6	61.2	18.84	22.52	15.24
48	75.8	71.4			



N=No. of contacts/2



REV.	DESCRIPTION	DRAWN	CHECKED	APPROVED
A	NEW RELEASE	DMJ 06/07/07'		

### 1. FEATURES

- 1.1. Compact mechanical construction to ensure long term life.
- 1.2. Zero insertion and extraction pressure.
- 1.3. standard 0.100(2.54mm) IC pitch, easy to mount in PC board.
- 1.4. All plastics are UL 94v-0 grade fire retardant.
- 1.5. Gold plated contact to ensure low contact resistance and long operation life.

### 2. SPECIFICATION

#### 2.1. ELECTRICAL:

- 2.1.1. Rating: 50VDC, 100mA.
- 2.1.2. Contact Resistance: 50mΩ Max.
- 2.1.3. Insulation Resistance: 1000MΩ Min.
- 2.1.4. Dielectric withstanding volatage: 500VDC min. for 60 seconds. Capacitance between adjacent contacts.

#### 2.2. MECHANICAL AND ENVIRONMENTAL

- 2.2.1. Temperature Rating:
- 2.2.2. Operating: -25°C to +70°C
- 2.2.3. Storage: -40°C to +85°C
- 2.2.4. Durability: 5,000 cycles (with load)
- 2.2.5. Humidity: 95%RH, 40°C for 48 Hrs.
- 2.2.6. Solderability: After flux 230°C for 5±0.5 Seconds, 95% coverage
- 2.2.7. Soldering Heat: 260±5°C for 5±1 Seconds.

### 3. PRODUCT NUMBER CODE:

DS1044 - X X X

- Housing color
  - L: Blue
  - B: Black
  - G: Green
- Contact plating
  - 6: Full Tin
  - F: Full 3u" gold
- No. of contacts
  - 14 16 20 24 28 32 40 48

GENERAL TOLERANCE	ANGLE TOLERANCE
X. ±0.60	X. ±5'
.X ±0.38	.X ±3'
.XX ±0.25	.XX ±2'

PROJECTION	TITLE
UNITS mm	ZIF SOCKET
SHEET SIZE A4	SERIES DS1044 SERIES

DRAWING TYPE	CUSTOMER
SCALE 1:1	SHEET 1 OF 1
DRAWING NO. C-DS1044-XXX	